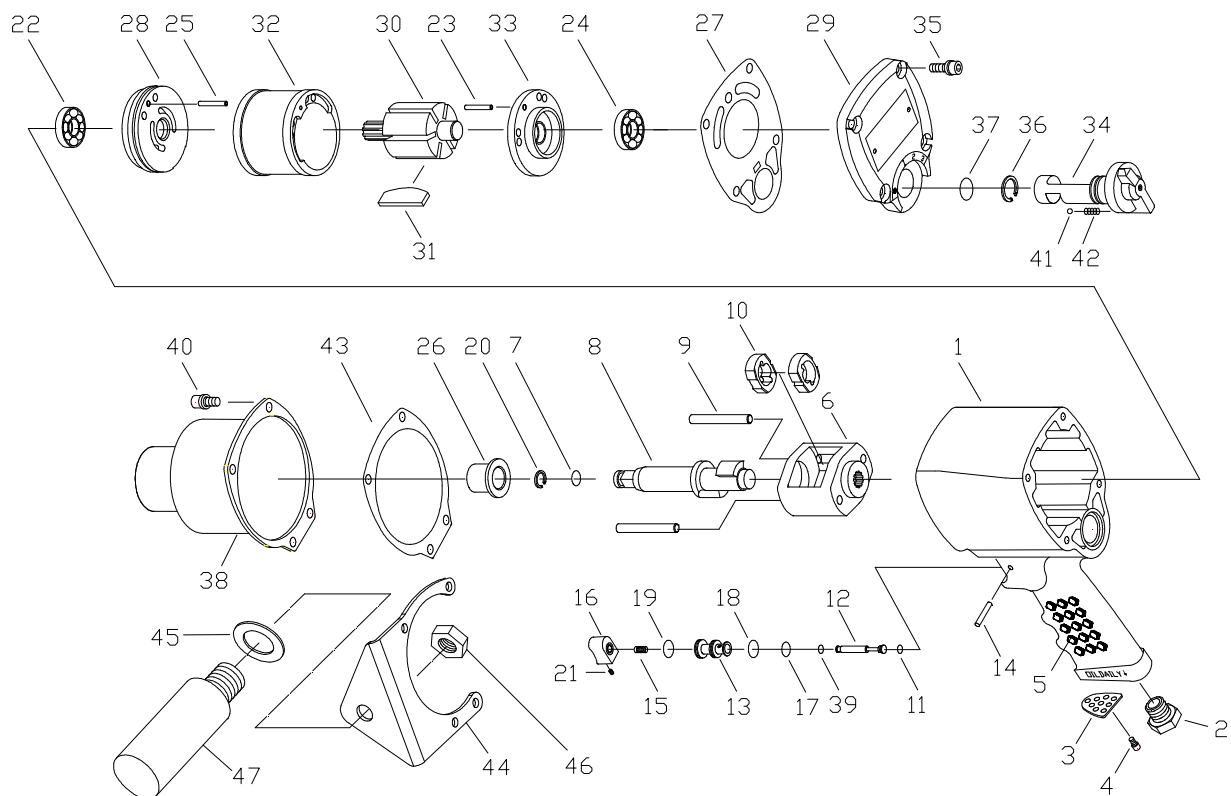


ZK-508EL Air Impact Wrench



NO.	Part No.	Description	Qty	NO.	Part No.	Description	Qty
1	508EW01	Housing	1	25	SP017	Pin (3*8)	1
2	508EW04-1	Air Inlet	1	26	508EW28	Bushing	1
3	506W03	Exhaust Deflector	1	27	508EW29	Gasket	1
4	SH062-1	Screw (M3*L8)	1	28	510W30-2	Front End Plate	1
5	508EW06	Rubber Grip	1	29	508EW31	Rear Cover	1
6	508EW08	Hammer Cage	1	30	510W32	Rotor	1
7	SO057	O-Ring (P10A)	1	31	510W33	Rotor Blade	6
8	508EW10-1	Anvil (6" (L))	1	32	508EW34	Cylinder	1
9	508EW11	Hammer Pin	2	33	510W35-2	Rear End Plate	1
10	508EW12	Hammer	2	34	508EW37	Regulator Knob	1
11	SO006-1	O-Ring (P4)	1	35	SH071	Screw & Spring Washer (M6*L25)	4
12	508BW04	Valve Stem	1	36	SE011	Inverted Retaining Ring (ISTW-16)	1
13	506W15	Valve Bushing	1	37	SO004	O-Ring (AS014)	1
14	SP005	Spring Pin (2.5*22)	1	38	508EW40	Housing Cover	1
15	506W17	Spring	1	39	SO073	O-Ring	1
16	508BW42	Trigger	1	40	SH010	Screw & Spring Washer (M6*L20)	4
17	SO031	O-Ring (9*2)	1	41	AA06-2	Steel Ball (3.5mm)	1
18	SO018	O-Ring (SM012)	1	42	506BW31	Spring	1
19	SO019	O-Ring (SM014)	1	43	508EW45	Gasket	1
20	510W22	Anvil Collar	1	44	508EW46	Plate	1
21	SH082	Set Screw (M4*L8)	1	45	SW018	Washer	1
22	CAEE8-3	Ball Bearing (EE-8)	1	46	SN012	Nut	1
23	SP007	Pin (3*14)	1	47	512W51-1	Handle	1
24	CA6202ZZ	Ball Bearing (6202ZZ)	1				

R1

2017/8/24

* Please fill some droplets of resin and acid free oil into the air inlet.